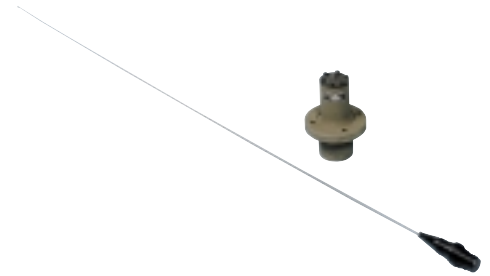


**RF-398-01**  
**VHF LOW-BAND**  
**VERTICAL MONOPOLE**  
**ANTENNA**

*a vertically polarized  
vehicular antenna*

The RF-398-01 Low Profile Vehicular VHF Antenna is a broadband (30 to 90 MHz), vertically polarized, end-fed monopole antenna designed for applications where short antenna length or antenna concealment is important. Operating over the 30 to 90 MHz frequency range, the internal matching network maintains a VSWR of less than 3.5:1 without a tuner or band switching.

The RF-398-01 is a low-profile EMP protected, vehicular antenna. The feed-through spring mounts directly to a RF-292 Universal Antenna Mount. Order the RF-292 separately for vehicular mounting.



**Electrical**

- **Frequency Range**  
30 to 90 MHz
- **Polarization**  
Vertical
- **Impedance**  
50 ohms (nominal)
- **VSWR**  
Less than 3.5:1 (per MIL-A-49283)
- **Gain**  
-5.8 dB at low end of band, gradually increasing to -1.7 dB at high end of band (per MIL-A-49283)
- **Power Rating**  
70 Watts
- **Matching Circuit**  
Passive, broadband
- **Radiation Pattern**  
Omnidirectional

**Environmental**

- **Salt Spray**  
Salt spray resistant

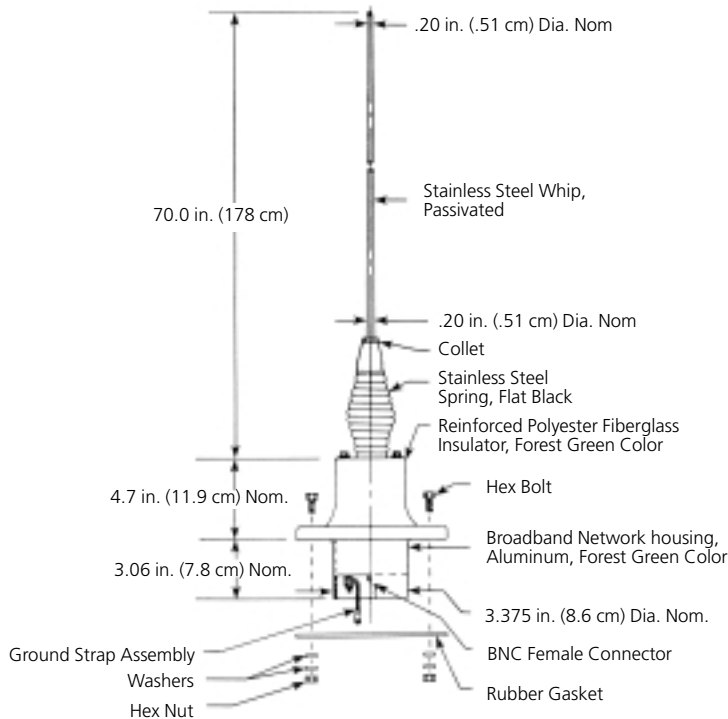
**Mechanical**

- **Height**  
1.9 m (74.7 in)
- **Weight**  
2.3 kg (5 lbs))
- **RF Connection**  
BNC female
- **Bolt-Hole Pattern**  
Four 0.5 inch holes spaced on a 4.5 inch bolt-hole circle
- **Construction**  
Two piece construction:
  - Passivated stainless steel element -- 0.20 inch (0.51 cm) at base tapering to 0.10 inch (0.25 cm ) at tip.
  - Reinforced polyester fiberglass mount with spring.

**Features**

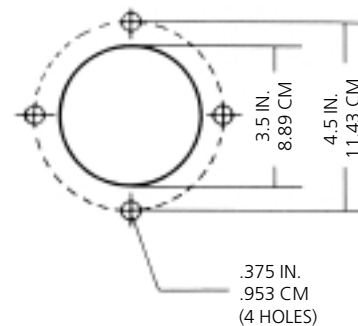
- Short length
- Thin radiating element
- Matching Network Built-In
- 70 Watt capability
- High voltage isolation
- Standard Universal Mounting
- Full MIL-SPEC design

**RF-398-01 Mechanical Details**



**RF-398-01 Antenna Mounting**

Detail for mounting without RF-292 Universal Antenna Mount



Specifications are subject to change without notice.